

NEMA 4/12 - ENCLOSURE
19" RACKMOUNT - 42U HEIGHT
FLOOR MOUNT

78" H x 48" W x 30" D
4 DOOR DESIGN

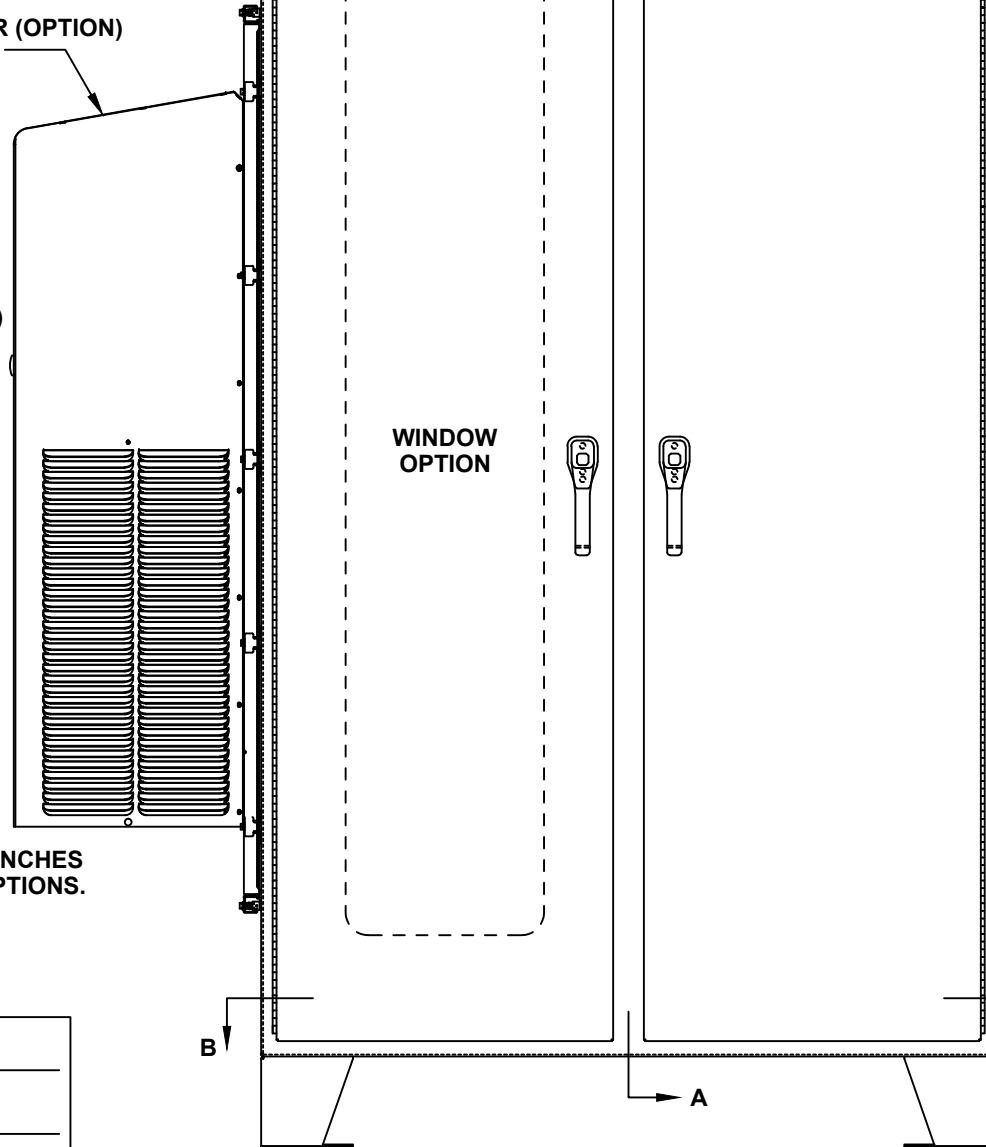


FILE NUMBER: E507642

AIR CONDITIONER (OPTION)
 REF. TO PAGE 2

- ENCLOSURE MATERIAL**
- POWDER COATED STEEL (CS)
 - POWDER COATED ALUMINUM (AL)

- POWDERCOAT COLOR**
- WHITE
 - LIGHT GRAY ANSI 70
 - DARK GRAY ANSI 61
 - BLACK
 - CUSTOM _____



LIFTING EYES

- WELDED PADEYES (STANDARD)
- REMOVABLE PADEYES

***WINDOW OPTIONS**

- CLEAR WINDOW
- TINTED WINDOW
- TEMPERED GLASS
- NOT REQUIRED

DOOR HANDLES

- PADLOCK PROVISION (STANDARD)
- KEYLOCK (OPTION)

FLOOR KIT

- 6" HT. (STANDARD)
- 8" HT.
- 10" HT.
- 12" HT.
- CUSTOM _____

*NOTE: UL & NON-UL OPTIONS AVAILABLE

ALL DIMENSIONS ARE ESTIMATED IN INCHES
 AND MAY VARY DUE TO SELECTED OPTIONS.

 COMPANY NAME

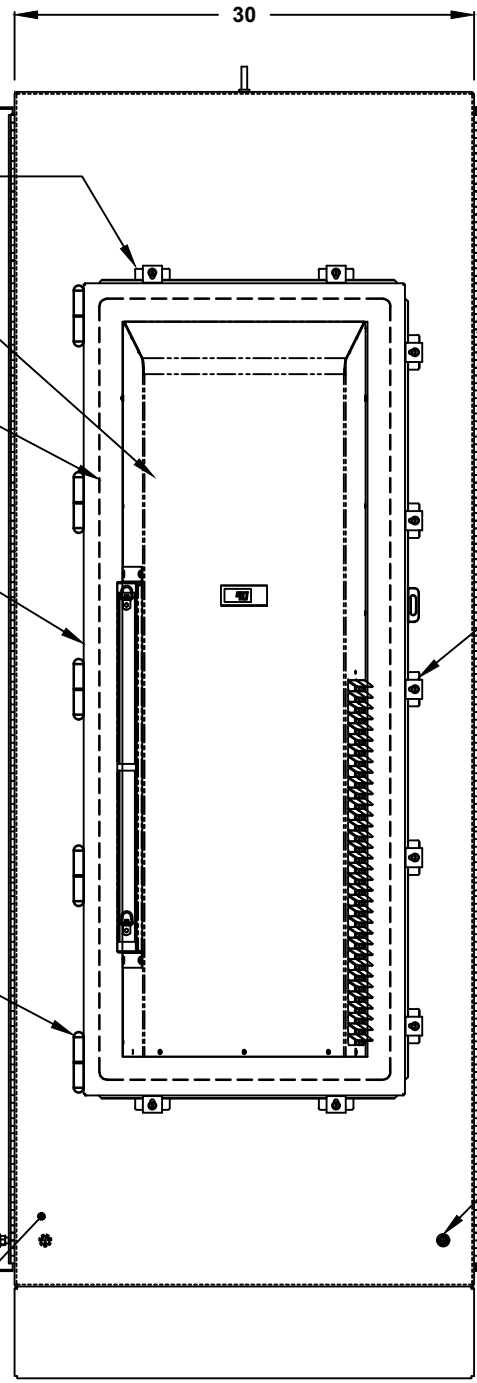
 APPROVED (PRINTED NAME)

 SIGNATURE

 DATE

FRONT VIEW

**78" H x 48" W x 30" D
4 DOOR DESIGN**



AIR CONDITIONER

- 1000 BTU
- 2000 BTU
- 3000 BTU
- 4000 BTU
- 5000 BTU
- 6000 BTU
- 8000 BTU
- 10000 BTU
- 12000 BTU
- 15000 BTU
- 20000 BTU
- SPECIFY _____
- NOT REQUIRED

A/C VOLTAGE/ HZ

- 115 VOLTS
- 230 VOLTS
- 480 VOLTS
- 60 HZ
- 50 HZ
- 48 VDC (CS011 / NE040 A/C ONLY)

A/C INTEGRATED HEATER

- 350 WATTS (CS011 A/C ONLY)
- 500 WATTS (C3020)
- 1000 WATTS
- EXTERNAL HEATER

ADDITIONAL A/C OPTIONS

- CORROSION PROTECTION PACKAGE
- DRY CONTACT (OUTPUT SIGNAL)
- 2" DEEP FILTERS
- PROXIMITY SWITCH (ON/OFF)

AIR CONDITIONER- SCADA

- MOBUS RTU 485 (2 WIRE)
REMOTE NETWORK
ETHERNET CONNECTION
- MOBUS GATEWAY
ADD-ON

HOLD-DOWN CLAMP (TYP.)

AIR CONDITIONER THERMAL EDGE (OPTION)

A/C ADAPTOR PLATE (INSIDE)

AIR CONDITIONER SERVICE DOOR

REMOVABLE HINGE

RADIANT BARRIER INSULATION (INSIDE)

HEAVY DUTY STAINLESS DOOR HINGE

PADLOCKABLE HASP & STAPLE

1/4-20 X 3/4 INTERIOR GROUND STUDS

LEFT SIDE

SUN REFLECTIVE SOLUTION

- TOP SUNSHIELD COVER

THERMAL SPECIFICATIONS

- OUTSIDE (AMBIENT) _____ °F
- INTERIOR TEMP. _____ °F
- HEAT LOAD (WATTS) _____
- SUN / SHADE _____

ENCLOSURE INSULATION

- 1/2 RADIANT BARRIER (STANDARD)
- 3/4 RADIANT BARRIER
- 1 RADIANT BARRIER
- NOT REQUIRED

A/C SERVICE DOOR

- INSTALL A/C SERVICE DOOR
- NOT REQUIRED

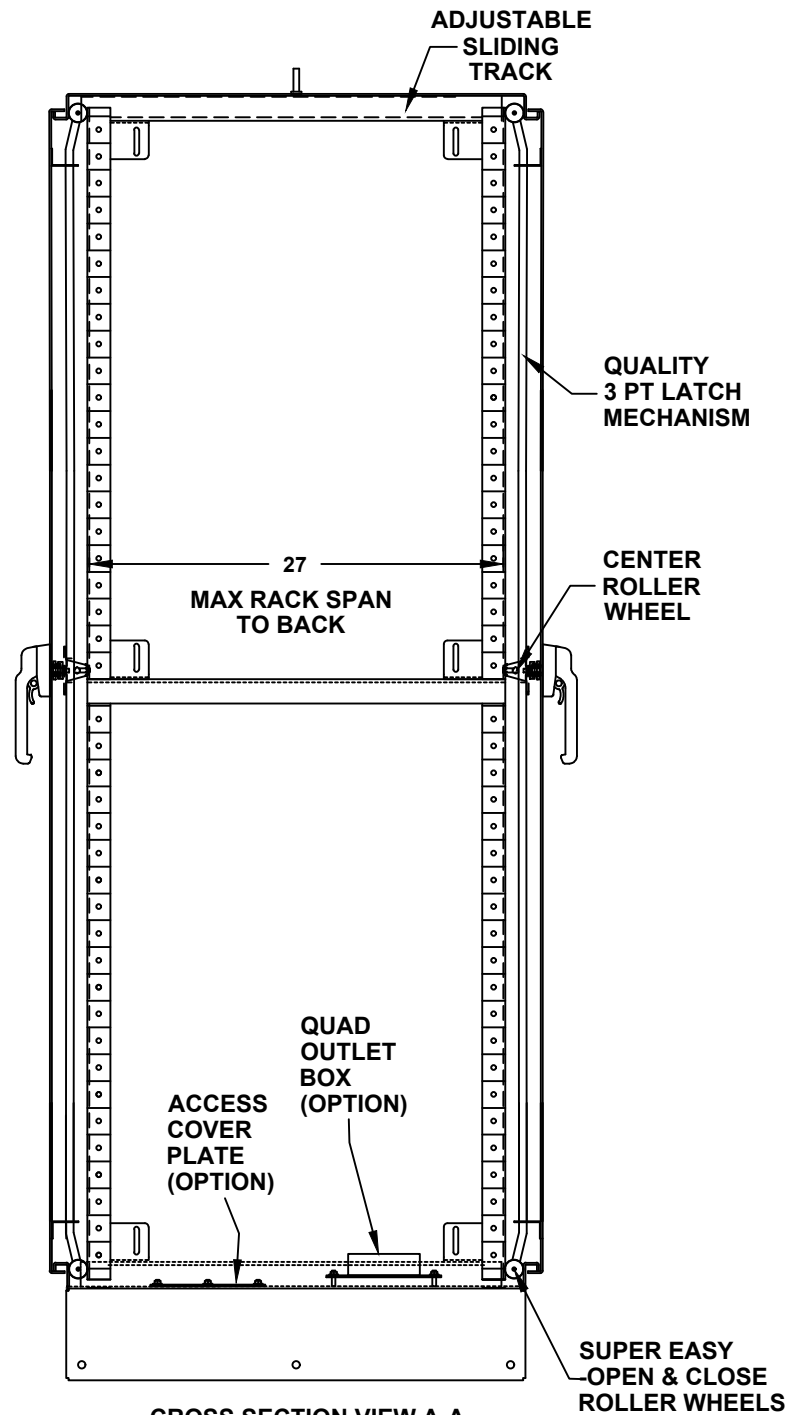
A/C SERVICE DOOR HINGE

- REMOVABLE HINGE
- CONTINUOUS HINGE

A/C ADAPTOR PLATE

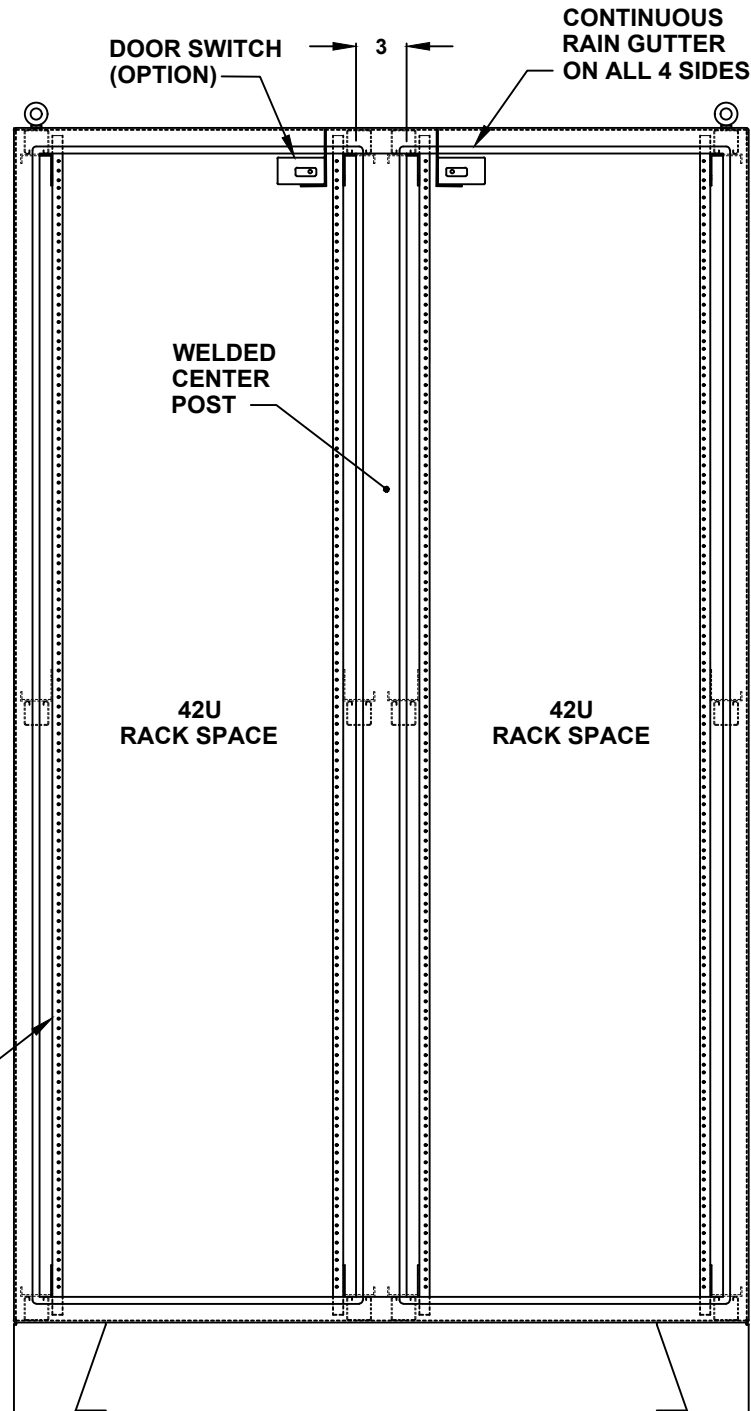
- INSTALL A/C ADAPTOR PLATE
- NOT REQUIRED

78" H x 48" W x 30" D
4 DOOR DESIGN



CROSS SECTION VIEW A-A

**78" H x 48" W x 30" D
4 DOOR DESIGN**



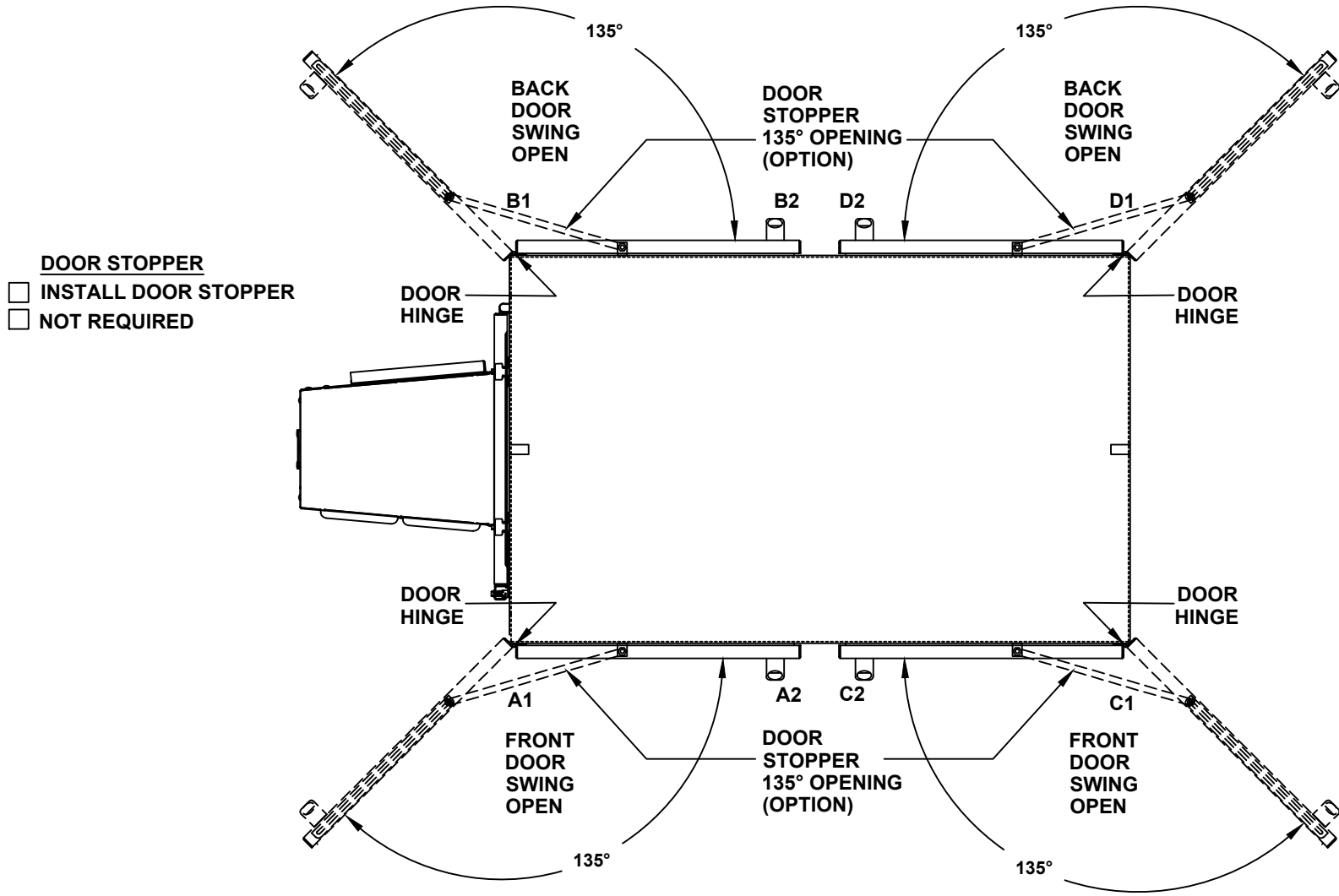
FRONT VIEW WITH DOOR REMOVED

- RACK RAIL OPTIONS**
- BLACK CLIP NUTS, #10-32, (100 EA.)
 - #10/32 HIGH POINT SCREWS (100 EA.)
 - M6 CAGE NUTS

- OTHER OPTIONS**
- 19" RACK COPPER BUSBAR
 - VERTICAL RACK PDU

- DOOR OPTIONS**
- DOOR SWITCH
 - ELECTROMAGNETIC LOCK
 - PRINT POCKET
- CENTER POST**
- WELDED (STANDARD)
 - REMOVEABLE
- RACK RAIL POST**
- QTY 4 POST
 - QTY 8 POST (REARDOOR REQUIRED)
- RACK RAIL MATERIAL**
- POWDER COATED STEEL (STANDARD)
 - 304 STAINLESS STEEL
- RACK RAIL MOUNTING HOLES**
- #10-32 TAP (STANDARD)
 - #1/4-20 TAP
 - 3/8 SQUARE
- RACK RAIL TYPE**
- STANDARD GRADE
 - HEAVY DUTY RAILS (OPTION)
- RACK SHELVES (OPTION)**
- STANDARD RACK SHELVES
 - SLIDING RACK SHELVES
 - RACK SHELF SUPPORT
- RACK DRAWERS (OPTION)**
- RACK DRAWERS
 - LAPTOP DRAWERS

78" H x 48" W x 30" D 4 DOOR DESIGN



DOOR STOPPER
 INSTALL DOOR STOPPER
 NOT REQUIRED

TOP VIEW

78" H x 48" W x 30" D 4 DOOR DESIGN

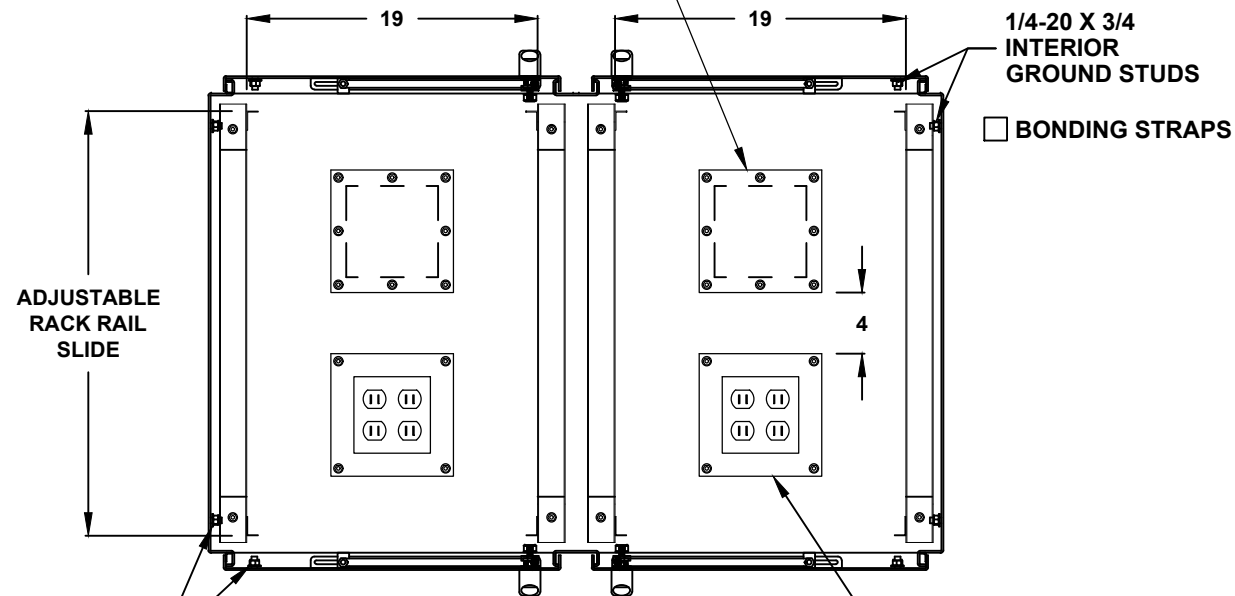
BASE ACCESS COVER PLATE

(OPTION)

- 8x8 PLATE (6x6 CUT-OUT)
- 8x16 PLATE (6x14 CUT-OUT)
- 12x12 PLATE (10x10 CUT-OUT)
- 16x16 PLATE (14x14 CUT-OUT)

SIDE ACCESS COVER PLATE MAT'L

- POWDER COATED STEEL
- POWDER COATED ALUMINUM
- STAINLESS STEEL, 304



1/4-20 X 3/4
INTERIOR
GROUND STUDS

BONDING STRAPS

ADJUSTABLE
RACK RAIL
SLIDE

1/4-20 X 3/4
INTERIOR
GROUND STUDS

**QUAD OUTLET BOX
ON 8x8 PLATE (OPTION)**

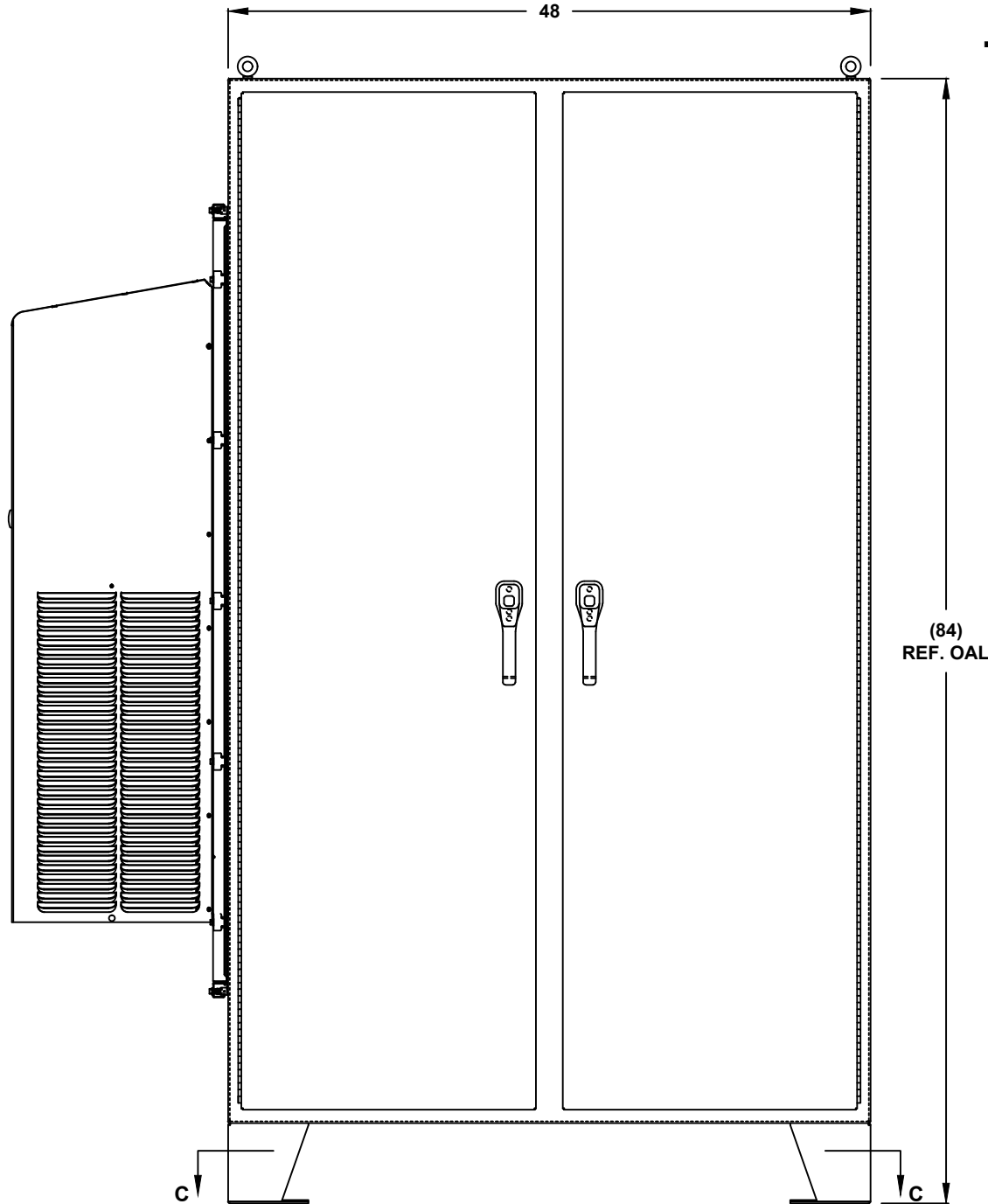
- ADD QUAD BOX
- 15A 115V RECEPTACLE
- 20A 115V RECEPTACLE
- NOT REQUIRED

CONDUIT/CABLE SEAL OPTIONS

- ROXTEC SEAL SOLUTION
- PIPE FITTING HUB
- CABLE GLAND

TOP CROSS SECTION VIEW B-B

78" H x 48" W x 30" D
4 DOOR DESIGN



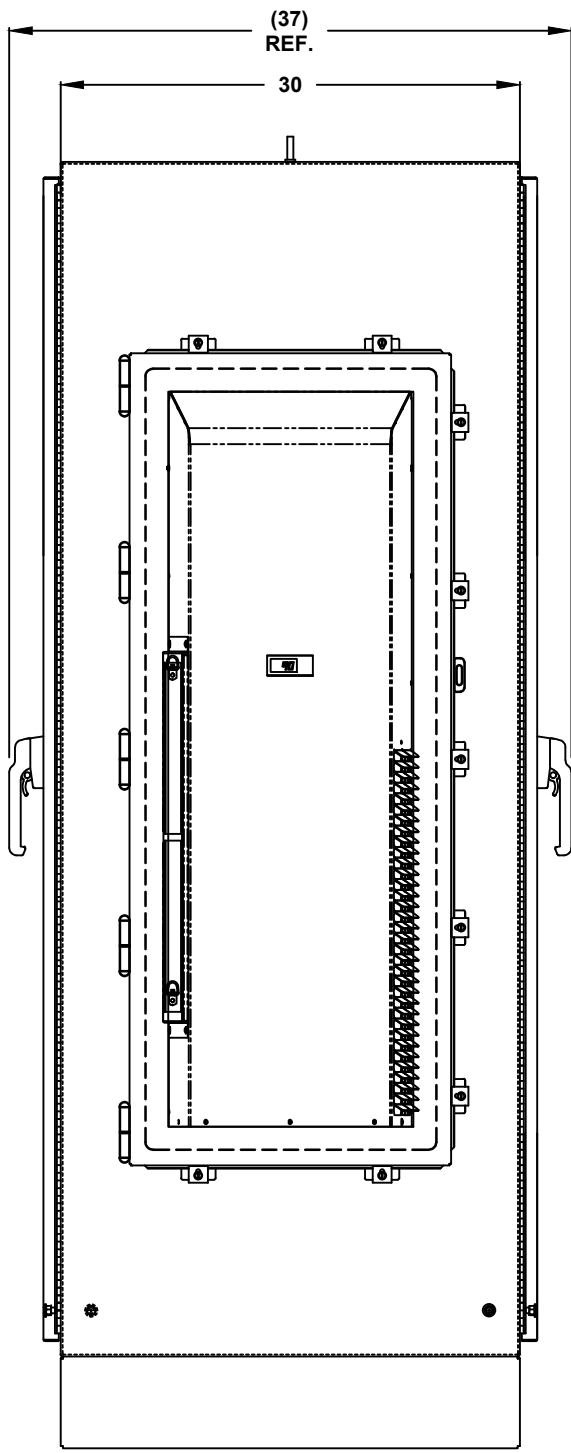
(84)
REF. OAL

FRONT VIEW

NEMACO™ ©2023

N4-784830-F2DDXX19 (X1) 7/8

NEMACO™



Nemaco.com

78" H x 48" W x 30" D 4 DOOR DESIGN

